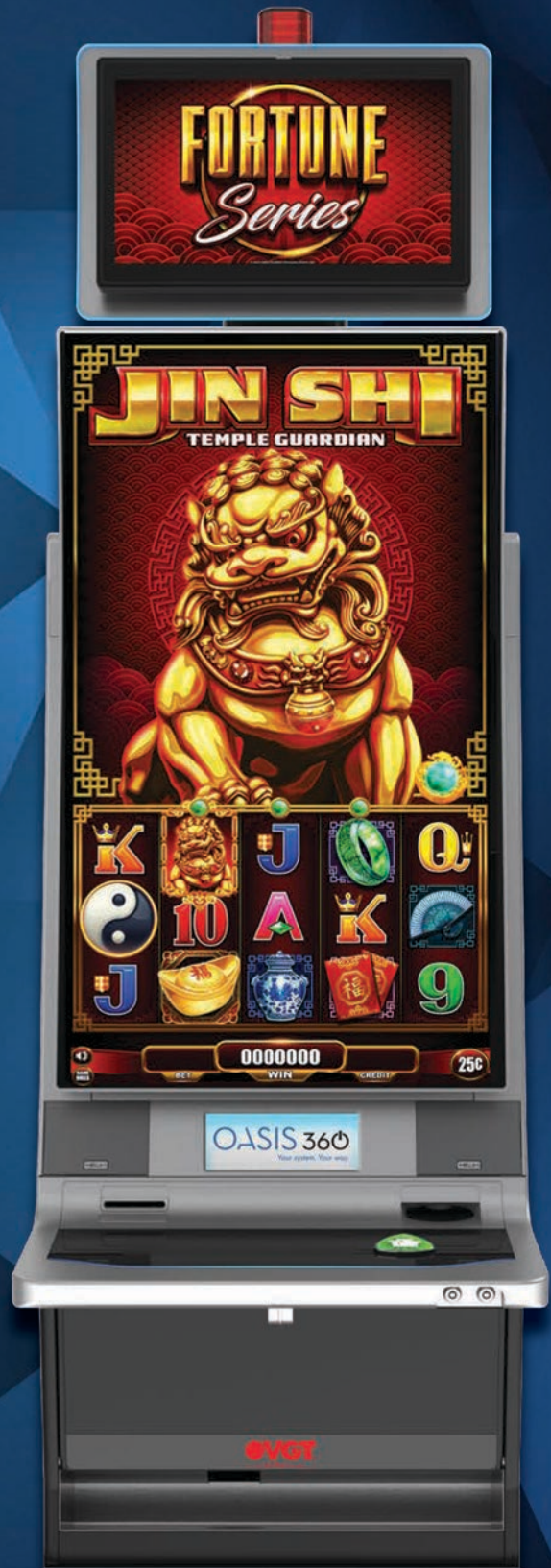


HELIX[™] XT

The Helix XT is the latest in portrait cabinet technology; building on the success of the ARC Single, VGT now has a portrait cabinet on an upright footprint. This premium cabinet will be launching November 2018 with two new Fortune Series titles: Jin Shi & Jin Long, accompanied by a variety of popular back catalog themes.

KEY FEATURES AND DESIGN

- Stunning 4K graphics displayed on a curved 42" screen
- Enhanced button deck and topper
- Light shows across both topper and edge lighting
- Its silhouette is designed to draw attention and cut through the clutter of other casino games



Specifications - Helix XT™ cabinet

Physical Characteristics

Cabinet Dimension	Metric (millimeters)	Imperial (inches)
Height	1971 mm (to topper), 2074 mm (to candle)	77.60" 81.65"
Width	638 mm	25.08"
Depth	639 mm	25.16"

Cabinet Weight 300 lbs

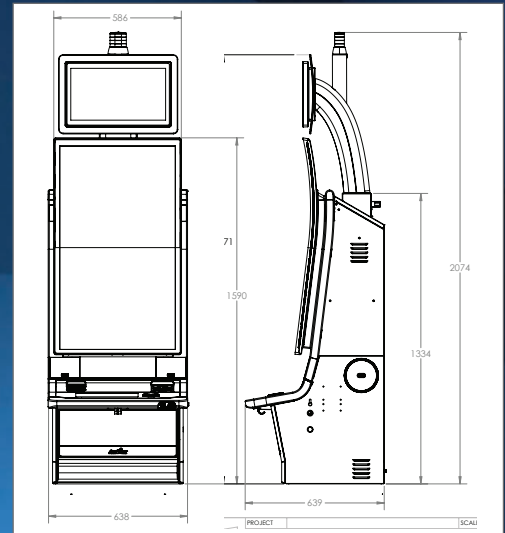
Voltage Requirements

Mains Input Voltage

Minimum	100V AC
Maximum	240V AC
Frequency	50 Hz /60 Hz

Power Requirements

Mains Input Current	115V AC	240V AC
EGM Typical	1.65A	0.8A
Power Consumption at Nominal Voltage	115V AC	240V AC
EGM Typical (real power)	228W	230W
Typical Heat Load	778 BTU/hr	785 BTU/hr
Maximum Load Current	115V AC	240V AC
Auxiliary Power Outlet (main switch controlled)	1A	1A
Auxiliary Power Outlet (independently switched)	1A	1A
Power Factor	115V AC	115V AC
>50% load, exceeds	.95	.95
Environment Requirements	Operating	Storage
Minimum Temperature	10C (50F)	-20C (-4F)
Maximum Temperature	40C (104F)	60C (140F)
Relative Humidity	0-85% non-condensing	0-95% non-condensing



Helix XT

OVGT
— AN ARISTOCRAT COMPANY —